



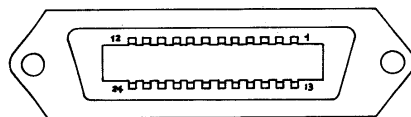
IC-EX309 INTERFACE UNIT INSTRUCTION MANUAL

Thank you very much for purchasing our products.

The IC-EX309 is an interface unit that is required to connect the optional communication terminal (CT-10) with other ICOM products such as IC-751, IC-271A/E/H, IC-471A/E/H, or IC-R71A/E/D.

Please read all the instructions so that you can install it into the transceiver/receiver correctly to get maximum performance and full value from each set.

CONNECTION OF EACH TERMINAL AND ITS FUNCTION



Pin No.	Function	Pin No.	Function
1	Data bus D0 input/output	13	Not used
2	Data bus D1 input/output	14	Not used
3	Data bus D2 input/output	15	Not used
4	Data bus D3 input/output	16	Not used
5	Data bus D4 input/output	17	Not used
6	Data bus D5 input/output	18	Not used
7	Data bus D6 input/output	19	Not used
8	Data bus D7 input/output	20	Not used
9	Remote Control (controlling) RP input	21	Remote Control (controlling) WP input
10	Remote Control (interrupt) SRQ input	22	Remote Control (controlling) DAV input
11	Squelch SQLS output	23	Transmission Control SEND input
12	13.8V DC Output	24	Ground

• D0 ~ D7

Data bus that functions at bi-directional 8 bit parallel. It is set at TTL level.

• RP (Read Pulse)

Controlling data is sent from the transceiver/receiver to the remote controller when this line is at H level (+5V). It is usually at L level.

• SRQ (Service Request)

Line shows that data is being exchanged between the transceiver/receiver and the controller, while the data is being exchanged, this line is L level (0V). Usually, the line is H level (+5V).

• 13.8V

Power supply for the controller. Maximum current is 100mA.

• SQLS (Squelch Signal)

Terminal for a signal that automatically stops the frequency scanning. Voltage is +8V when the squelch is closed, and 0V when it is opened.

• WP (Write Pulse)

Controlling data are sent from the remote controller to the transceiver/receiver when this line is at H level (+5V). It is usually at L level (0V).

• DAV (Data Valid)

This line shows data has been received. It is valid at L level (0V).

• SEND

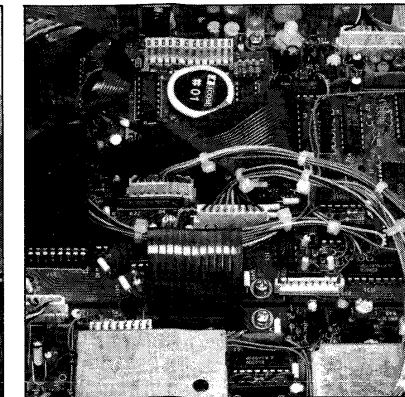
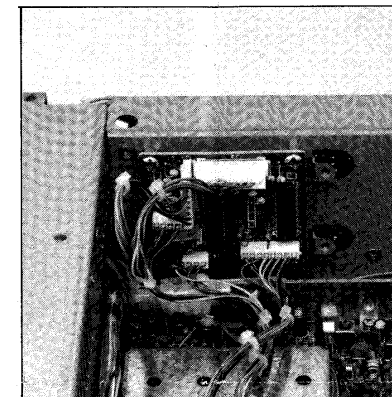
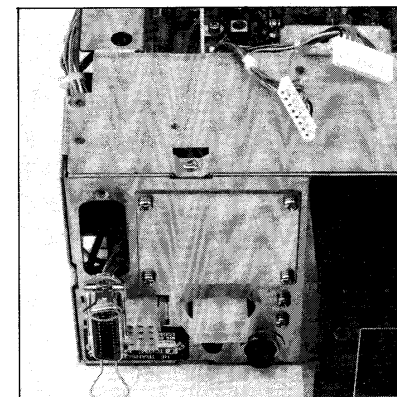
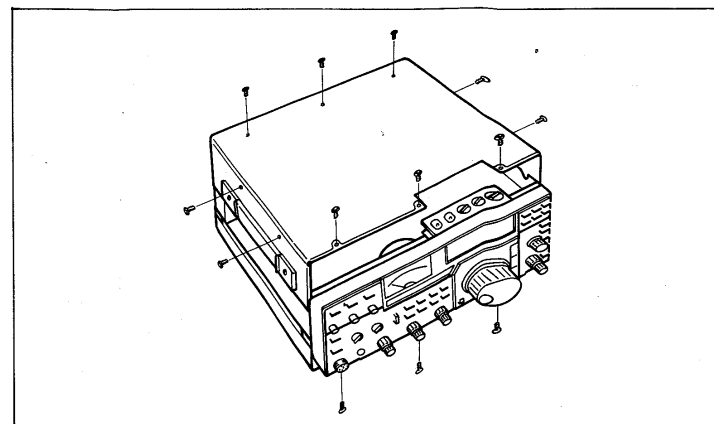
When this line is grounded, the transceiver changes to in transmit mode.

INSTALLATION PROCEDURE

• Installation to IC-751

- 1) Remove the top and bottom covers.
- 2) Remove the plate attached to the rear panel and run the cables inward. The connector should be installed with the screws that were used to attach the plate.
- 3) Install the connector onto where specified, and connect the cables from the connector to the unit.
- 4) Plug the cables into J10 and J15 of the LOGIC unit.
- 5) Replace the top and bottom covers.

* For installation to IC-R71, refer to the Instruction Manual of the IC-R71 receiver.



• Installation to IC-271A/E/H or IC-471A/E/H

- 1) Remove the top and bottom covers.
- 2) Remove the plate attached to the rear panel and pass the cables inward to the bottom side. The connector is to be attached with the supplied screws.
- 3) Install the unit onto where it is specified and connect the cables from the connector.
- 4) Plug the cables from the unit into J1 and J3 of the LOGIC unit.
- 5) Replace the top and bottom covers.

